



PRODUCT INFORMATION

NEW

PSX Series

Power to the People

The new PSX112 (12", 350w Continuous) and PSX115 (15" 450w Continuous) active loudspeakers are a powerful and high quality PA solution for any sound project constrained by budget.

Constructed of durable polypropylene and using a full-face steel front grille, PSX are robust and versatile - ideal for DJ's, musicians and installations.

Custom Wharfedale Pro drivers have been used. Both models use a class-leading 1.75" HF compression driver to ensure clear and accurate high frequency performance. Meanwhile the large 2.0" voice coils used in the LF drivers give efficient power handling, even at extreme volumes.

Both models are bi-amplified using Class D for the LF and a newly designed Class AB amplifier for the HF. This combination gives a great power to price ratio.

Simple operation is the key though - with +/-12dB treble and bass controls and straightforward connectivity, even the most inexperienced user can achieve great sound.

PSX series - delivering huge power to the people.

PSX112 12" Active

350w Continuous

700w Peak

PSX115 15" Active

450w Continuous

900w Peak

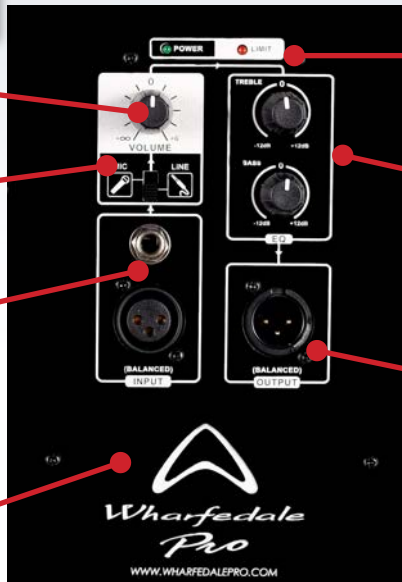


WHAT MAKES THEM GREAT?

- ✓ Bi-amplified with high power output
- ✓ Easy operation
- ✓ Portable and durable
- ✓ Custom Wharfedale Pro drivers
- ✓ 1.75" HF compression driver
- ✓ Convection cooling
- ✓ 4 x M8 rigging points

Around the back

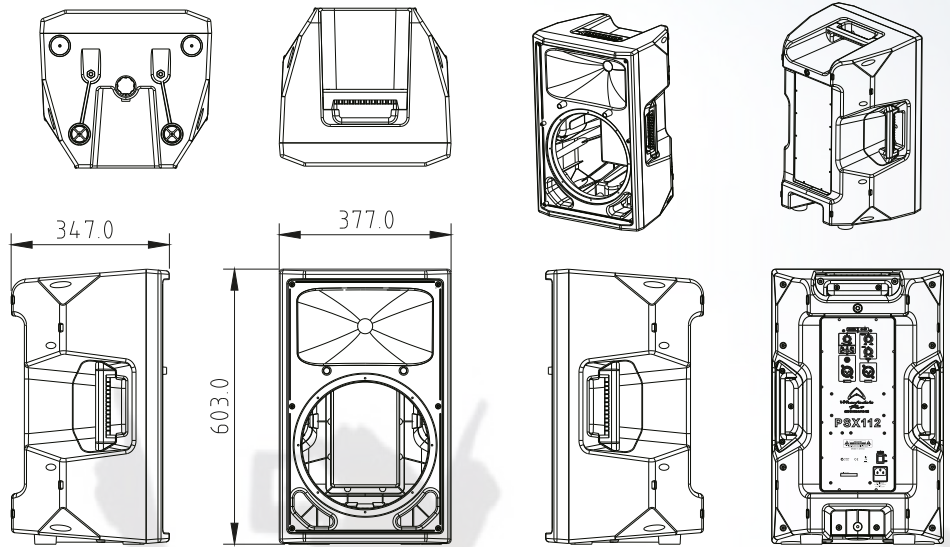
- Master volume
- Mic / Line switch
- XLR and jack, mic line inputs
- Convection cooled Class D (LF) and Class AB (HF) amps



- Limit protection
- Treble and Bass controls +/- 12dB
- Balanced Link output

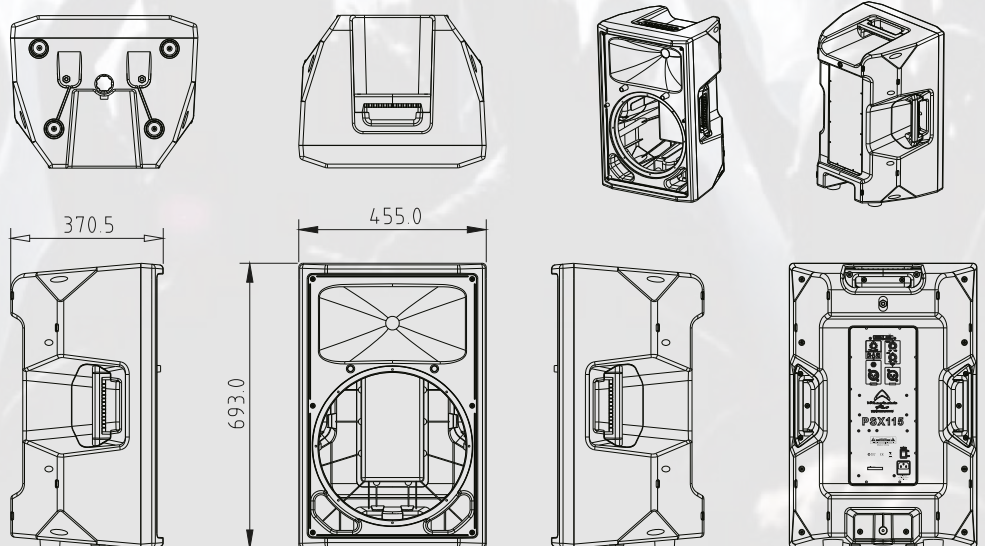
PSX112

- 4 x M8 rigging points
- 1 x 35mm pole socket



PSX115

- 4 x M8 rigging points
- 1 x 35mm pole socket



SPECIFICATIONS



Model Name	PSX112	PSX115
System Type	Active 12" 2-way Bi-Amplified system	Active 15" 2-way Bi-Amplified system
Frequency Response (+/-3dB)	55-20kHz	50-20kHz
Sensitivity @ 1W / 1m	96dB	97dB
Maximum SPL(peak)(@1m)	128dB	130dB
Low Frequency Transducer		
Size (mm / inches)	305mm / 12"	381mm / 15"
Coil Size (mm / inches)	50.8mm / 2.0"	50.8mm / 2.0"
Impedance	4 Ω	4 Ω
High Frequency Transducer		
Type	Compression Driver	Compression Driver
Coil Size (mm / inches)	44.5mm / 1.75"	44.5mm / 1.75"
Exit Size (mm / inches)	25mm / 1"	25mm / 1"
Diaphragm Material	Titanium	Titanium
Impedance	8 Ω	8 Ω
High Frequency Coverage (H x V)	90° x 60°	90° x 60°
Amplifiers		
Low-Frequency Power Amplifier (Class D)	250W Continuous / 500w Peak	350W Continuous / 700w Peak
High- Frequency Power Amplifier(Class AB)	100W Continuous / 200w Peak	100W Continuous / 200w Peak
Electronic Crossover:		
Crossover Frequency	HI PASS 2.5kHz LOW PASS 2.5kHz	HI PASS 2.5kHz LOW PASS 2.5kHz
Controls		
Equalization:	+/-12dB Gain for bass and treble	+/-12dB Gain for bass and treble
Amplifier Protection		
Power On Protection	Power switch on / off mute	Power switch on / off mute
Thermal Protection	Amplifier shutdown, auto reset	Amplifier shutdown, auto reset
Driver Protection	YES	YES
DC Protection	YES	YES
Short Protection	YES	YES
Limiter Indicator	RED LED	RED LED
Power Indicator	GREEN LED	GREEN LED
Input type	BALANCE	BALANCE
Input Sensitivity	0dB	0dB
Maximum Input Level	5V	5V
Input Connector	TRS JACK AND MALE XLR	TRS JACK AND MALE XLR
Input Impedance	47KΩ BALANCED	47KΩ BALANCED
Maximum Input Level	5V	5V
Input type	BALANCED	BALANCED
Input Sensitivity	0dB	0dB
Maximum Input Level	5V	5V
Input Connectors	TRS JACK AND MALE XLR	TRS JACK AND MALE XLR
Line Output Connector	FEMALE XLR	FEMALE XLR
Sensitivity	0dB	0dB
AC Power details		
Power Supply	SMPS	SMPS
AC Power Options	100V-120V and 200V-240V	100V-120V and 200V-240V
Power On Indicator	LED	LED
Rigging / Bracket / Mounting Options		
	4 x M8	4 x M8
	35mm Pole-mount receptacle with lock screw	35mm Pole-mount receptacle with lock screw
	3 carry handles (one on each side, one on top)	3 carry handles (one on each side,one on top)
	Optional wall-mount bracket (WPB-2)	Optional wall-mount bracket (WPB-2)
Enclosure		
Enclosure Material	Injection Moulded Polypropylene	Injection Moulded Polypropylene
Colour	black	black
Dimensions (Unpacked)(mm / inches):		
H	603mm / 23.7"	693mm/27.3"
W	377mm / 14.8"	455mm / 17.9"
D	347mm / 13.7"	401.8m /15.1"
Dimensions (packed)(mm / inches):		
H	666mm / 26.2"	762mm / 30"
W	430mm / 16.9"	508mm / 20"
D	408mm / 16.1"	425mm / 16.7"
Weight		
Net Weight (kg / lbs)	15kg / 33.0lbs	19.2kg /42.2lbs
Gross Weight (kg / lbs)	17kg / 37.4lbs	22.0kg /48.4lbs

